

Bunting MeTRON™ 07 FlatLine

Low profile metal detector for mounting between multi-head weighers and vertical bag fillers. Integrated for fill seal machines. Also available with 05 controls.



Reliable detection of all metals:

- Ferrous
- Stainless Steel
- Aluminum
- Copper
- Brass
- Others

Technical Data	
Power Supply	Special version 24v DC optional
Type of Protection	IP 66
Product Temperature	Max 122° F
Material	Stainless steel (1.4301) Sandblasted Coil and Electronics Cabinet

Application

- Quality Inspection
- Machinery Protection

Standard Equipment

- Detection head with integral control electronics
- Control unit including power supply and display in a separate housing
- Power supply cord and connecting cable
- Manual, installation instructions, wiring diagram and parts list

Optional Equipment

- Metal detector test spheres
- Warning device
- WiFi
- Software solutions
- Remote reset button
- Power conditioner

Special Versions

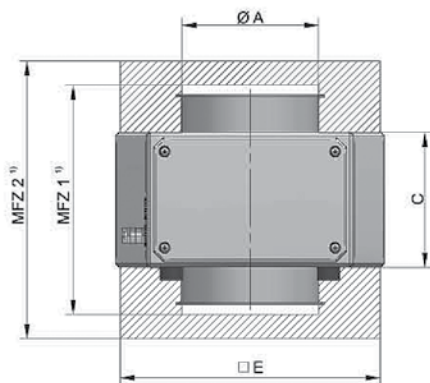
- Explosion proof versions (ATEX)
- Special power supply
- Alutron version (suppression of interference signals from metalized foils or aluminum vapor foils)

Sensitivity

Detector Nominal Diameter Ø A	Sensitivity Steel-Ball Ø mm
100	0.4
120	0.5
150	0.6
175	0.7
200	0.8
250	1.0

Non Fe = Fe * 1 to 1.8; SS = Fe * 1 to 2.0

Metal Free Zone (MFZ)



CALCULATING THE "METAL FREE ZONE" (DN 100 - DN 200)

FOR <u>NON-MOVING METALS</u>	FOR <u>MOVING METALS</u>
MFZ 1 = C + 100 MM	MFZ 2 = 3 x A

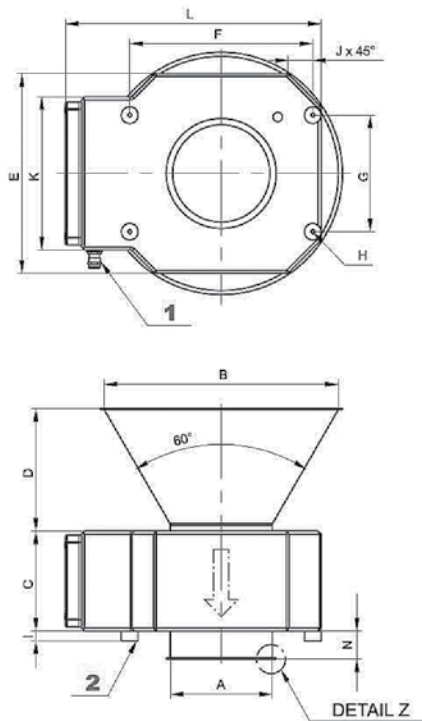
CALCULATING THE "METAL FREE ZONE" (DN 250)

FOR <u>NON-MOVING METALS</u>	FOR <u>MOVING METALS</u>
MFZ 1 = C + 170 MM	MFZ 2 = 3 x A

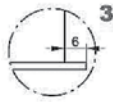
Bunting MeTRON™ 07 FlatLine

Dimensions

Version 1 (with welded on hopper)



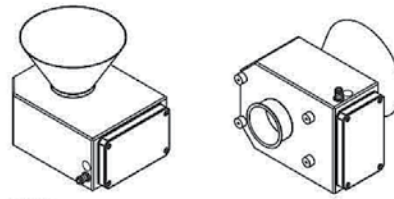
DETAIL Z



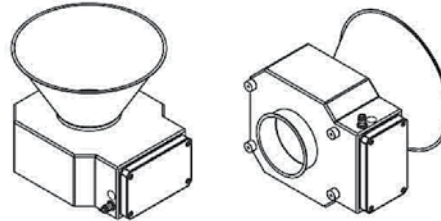
- 1. M 16 CABLE GLANDS
- 2. RUBBER METAL
- 3. SYSTEM JACOB



DN 100 - DN 120



DN 150 - DN 250

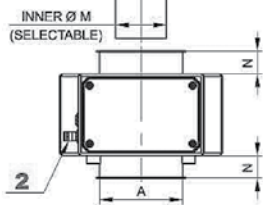
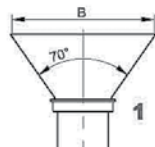
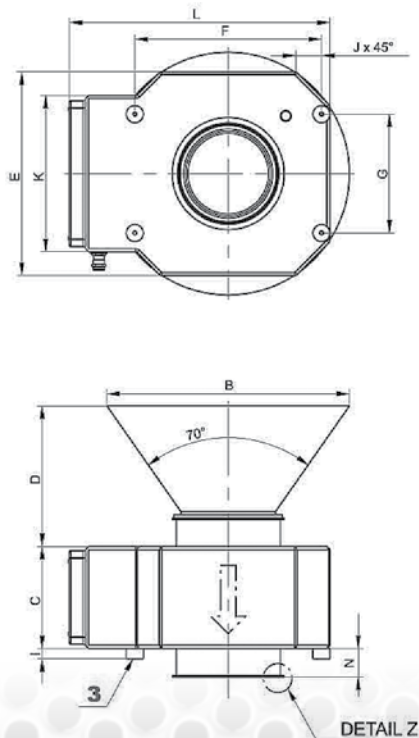


DNØA	DNØB	C	D	E	F	G	H	I	J	K	L	N	WEIGHT APPROX. (KG)
100	250	150	138	250	225	125	M6	15	50	250	334	42	25
120	250	150	120	250	225	125	M6	15	50	250	334	42	28
150	250	150	184	300	275	175	M6	15	50	230	384	42	30
200	350	150	141	365	310	170	M8	30	88	230	450	42	35
250	200	200	97	450	400	200	M8	30	115	230	529	80	40

ALL OTHER DIMENSIONS IN MM.
OTHER VERSIONS ON REQUEST

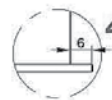
Dimensions

Version 2 (without hopper)

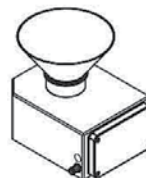
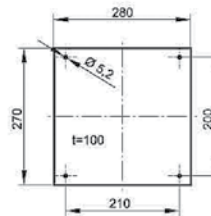


- 1. OPTIONAL CHANGEABLE HOPPER (PP)
- 2. M 16 CABLE GLANDS
- 3. RUBBER METAL
- 4. SYSTEM JACOB

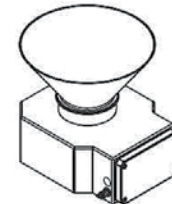
DETAIL Z



ELECTRONIC BOX
WEIGHT APPROX. 6 KG
(DRILLING PATTERN)



DN 100 - DN 120



DN 150 - DN 250

DNØA	DNØB	C	D	E	F	G	H	I	J	K	L	M MAX.	N	WEIGHT APPROX. (KG)
100	250	150	159	250	225	125	M6	15	50	250	334	86	42	25
120	250	150	149	250	225	125	M6	15	50	250	334	100	41	28
150	350	150	207	300	275	175	M6	15	50	230	384	120	42	30
175	350	150	183	300	275	175	M6	15	50	230	384	150	42	32
200	350	150	170	365	310	170	M8	30	88	230	439	170	42	35
250	350	200	177	450	400	200	M8	30	115	230	529	210	80	40

ALL OTHER DIMENSIONS IN MM.
OTHER VERSIONS ON REQUEST