

Bunting meTRON™ 05 CR

Closed tunnel type detector with circular aperture for installation in gravity or vacuum/pressure conveying lines.



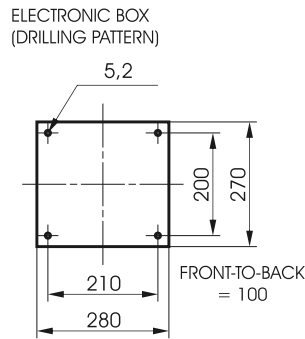
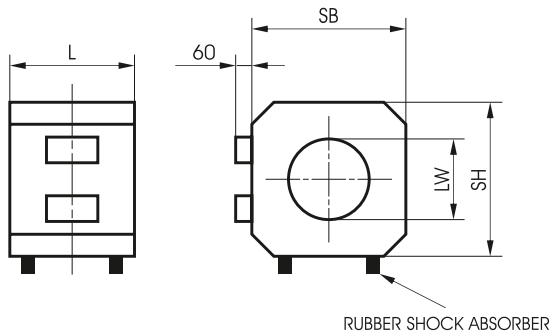
Reliable detection of all metals:

- Ferrous
- Stainless Steel
- Aluminum
- Copper
- Brass
- Others

<p>Application</p> <ul style="list-style-type: none"> • Machinery Protection • Quality Inspection <p>Standard Equipment</p> <ul style="list-style-type: none"> • Detection head with integral control electronics • Control unit including power supply and display in a separate housing • Power supply cord and connecting cable • Manual, installation instructions, wiring diagram and parts list <p>Optional Equipment</p> <ul style="list-style-type: none"> • Metal detector test spheres • Warning device • Plastic sensing tubes • Detector frame • Software solutions • Hard copy printer • Remote reset device • Visual markers • Power conditioner <p>Optional Versions</p> <ul style="list-style-type: none"> • Explosion proof versions (ATEX) • Special power supply • High temperature version • Alutron version (suppression of interference signals from metalized foils or aluminum vapor foils) 	<table border="1"> <thead> <tr> <th colspan="2">Technical Data</th> </tr> </thead> <tbody> <tr> <td>Type of Protection</td> <td>IP 54</td> </tr> <tr> <td>Product Temperature</td> <td>Max 122° F</td> </tr> <tr> <td>Conveying Speed</td> <td>.16 ft/sec to 5 ft/sec (higher speed on request)</td> </tr> <tr> <td>Interconnecting Cables</td> <td>Detector coil / control = 7 ft long</td> </tr> <tr> <td>Material</td> <td>Detector coil is made of aluminum. optional stainless steel; electronic cabinet is made of steel (st 37) sensing areaa are made of Duroplex</td> </tr> </tbody> </table>	Technical Data		Type of Protection	IP 54	Product Temperature	Max 122° F	Conveying Speed	.16 ft/sec to 5 ft/sec (higher speed on request)	Interconnecting Cables	Detector coil / control = 7 ft long	Material	Detector coil is made of aluminum. optional stainless steel; electronic cabinet is made of steel (st 37) sensing areaa are made of Duroplex
Technical Data													
Type of Protection	IP 54												
Product Temperature	Max 122° F												
Conveying Speed	.16 ft/sec to 5 ft/sec (higher speed on request)												
Interconnecting Cables	Detector coil / control = 7 ft long												
Material	Detector coil is made of aluminum. optional stainless steel; electronic cabinet is made of steel (st 37) sensing areaa are made of Duroplex												

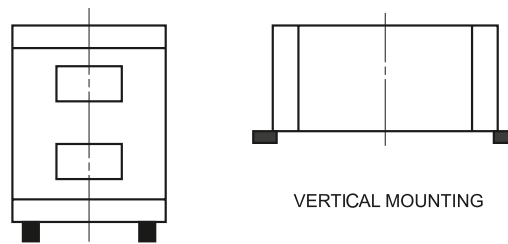
Bunting MeTRON™ 05 CR

Dimensions



LW = Typ CLEAR WIDTH	SB = SH DETECTOR HEIGHT= DETECTOR WIDTH	L DETECTOR LENGTH
35	150	125
45	150	125
55	150	125
70	150	125
85	200	150
100	200	150
115	250	150
130	250	150
150	250	200
170	300	200
210	350	250
235	400	300
265	450	300
300	500	350
335	550	400
380	600	450
430	650	500
470	700	500
525	750	600
600	850	700

ALL DIMENSIONS I MM.



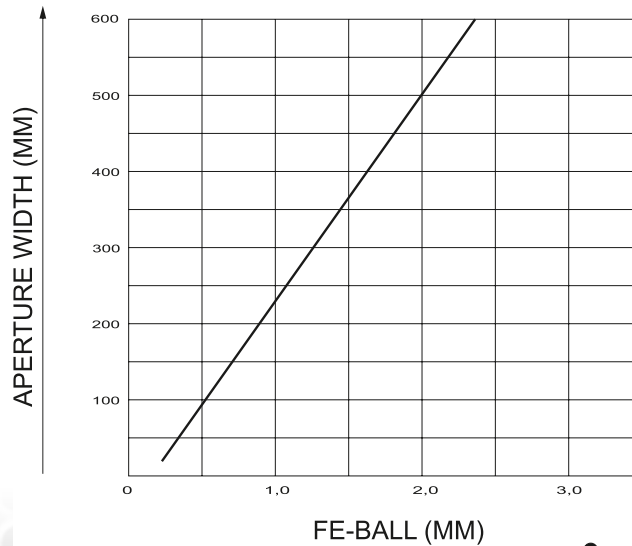
HORIZONTAL MOUNTING

VERTICAL MOUNTING

NOTICE

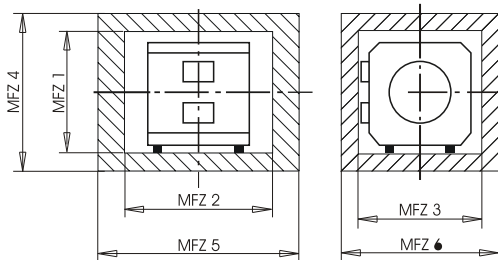
THE MANNER OF TIGHTENING DEPENDS ON THE SIZE OF THE DETECTOR AND ON THE WAY OF APPLICATION. WE WILL GLADLY FURNISH YOU INDIVIDUAL DIMENSIONAL DATA SHEETS AFTER CLARIFICATION OF THE DETAILS.

Sensitivity



SS = Fe x 1 to 2; NFe = Fe x 1.2 to 1.8

Metal Free Zone (MFZ)



CALCULATING THE „METAL FREE ZONE“ ...

FOR NON-MOVING METALS

FOR MOVING METALS

MFZ 1 = SH + 60 MM

MFZ 4 = 4 LW + 30 MM

MFZ 2 = L + LW

MFZ 5 = L + 3,5 LW

MFZ 3 = 2 LW

MFZ 6 = 4 LW