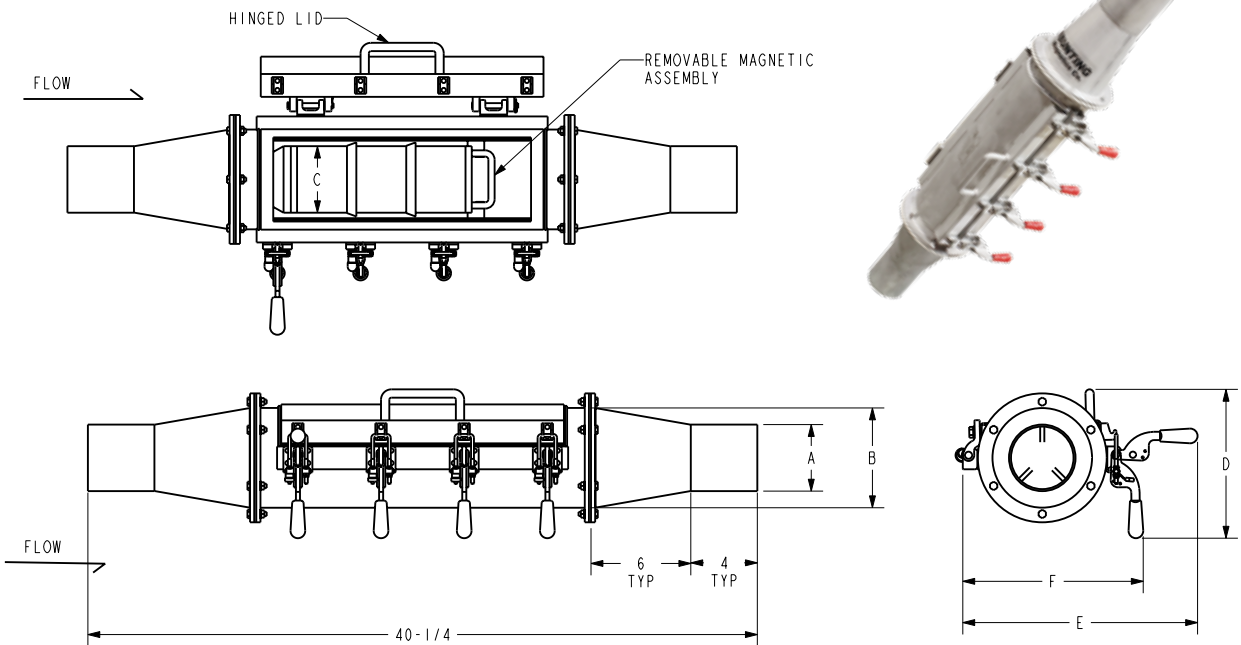


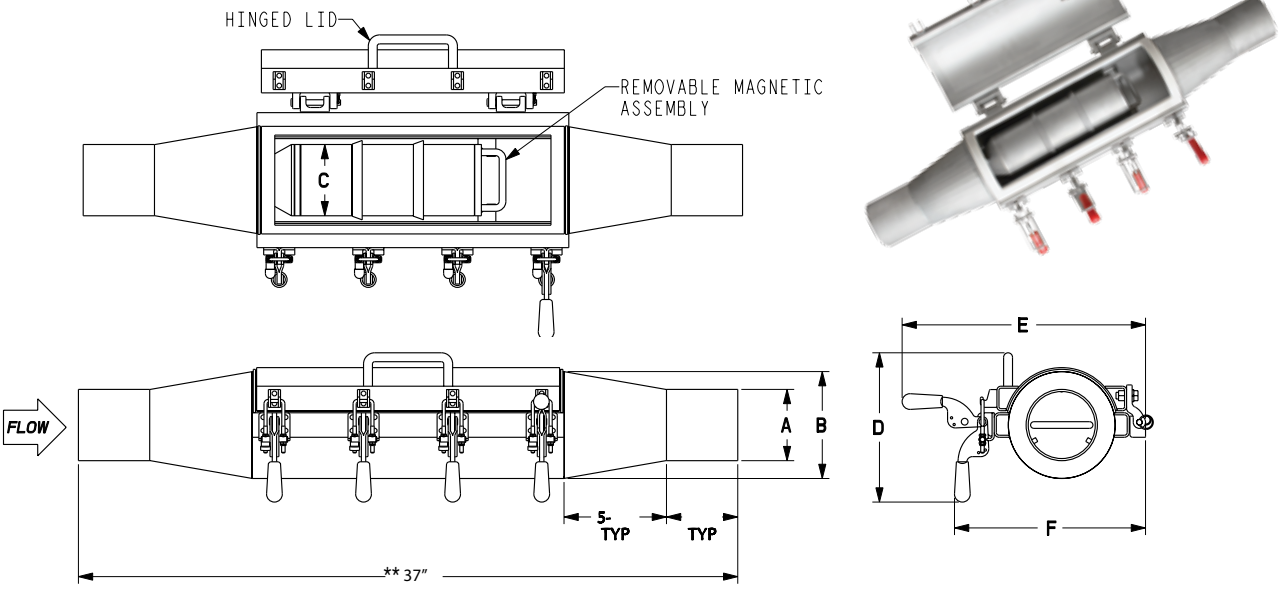


Center-Flow Magnet - Bolt on Flanges



Specifications are subject to change without notice.

Center-Flow Magnet - Standard Flanges



Model No.	A	B	C	D	E	F
+CFM-3-NE	3	6	4	8 5/16	14 1/8	10 3/4
+CFM-4-NE	4	6	4	8 5/16	14 1/8	10 3/4
**CFM-5-NE	5	7	4	9 3/8	14 1/8	11 7/4
**CFM-6-NE	6	8	5	10 1/2	14 1/8	13 1/4

- * Please specify tubing or pipe size when ordering
- * Other magnetic loads available
- * Food Grade Construction Available
- * Rated for up to 15 PSI
- + Manufactured with bolt on flanges
- ** CFM-5-NE and CFM-6-NE have a length of 37"



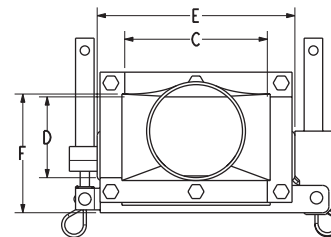
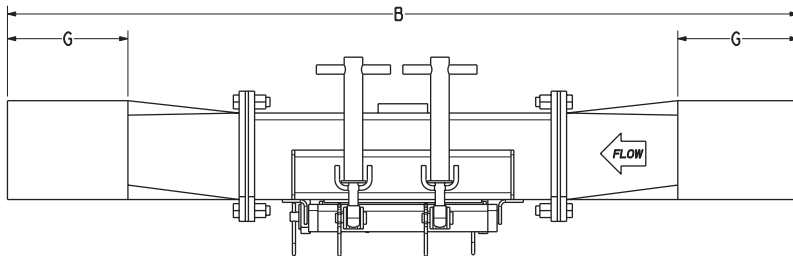
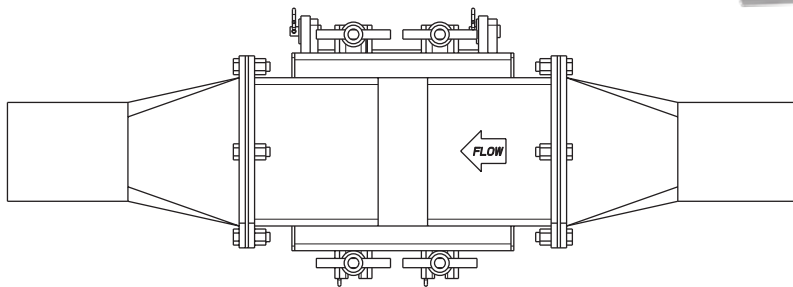
Pneumatic In-Line Magnet

Model No.	A*	B	C	D	E	F
PIM-2-CR	2	36	6	3 1/2	8	4 7/8
PIM-2-NE	2	32	6	3 1/2	8	4 7/8
PIM-3-CR	3	36	6	3 1/2	8	4 7/8
PIM-3-NE	3	32	6	3 1/2	8	4 7/8
PIM-4-CR	4	36	6	3 1/2	8	4 7/8
PIM-4-NE	4	32	6	3 1/2	8	4 7/8
PIM-5-CR	5	41	8	4	10	5 1/2
PIM-5-NE	5	38	8	4	10	4 7/8
PIM-6-CR	6	55	12	4	14	7
PIM-6-NE	6	52	12	4	14	6 3/8
PIM-8-CR	8	61	17	5	19	7
PIM-8-NE	8	53	17	5	19	6 3/8
PIM-10-CR	10	65	20	6 1/2	22	7
PIM-10-NE	10	57	20	6 1/2	22	7

Available in Food & Utility grade finishes.

Dimensions in inches. Specifications are subject to change without notice.

* Please specify tubing or pipe size when ordering.

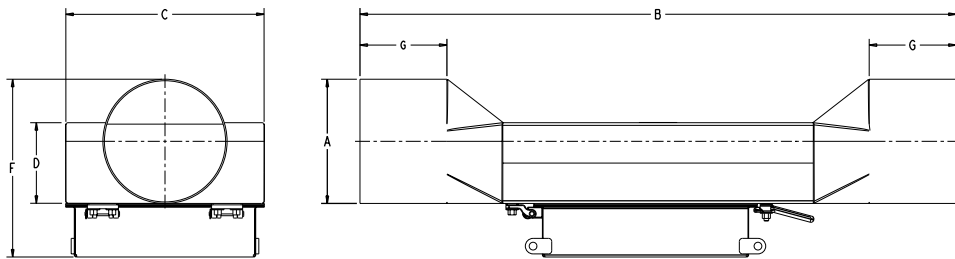


Specifications are subject to change without notice.



Gravity In-Line Magnet

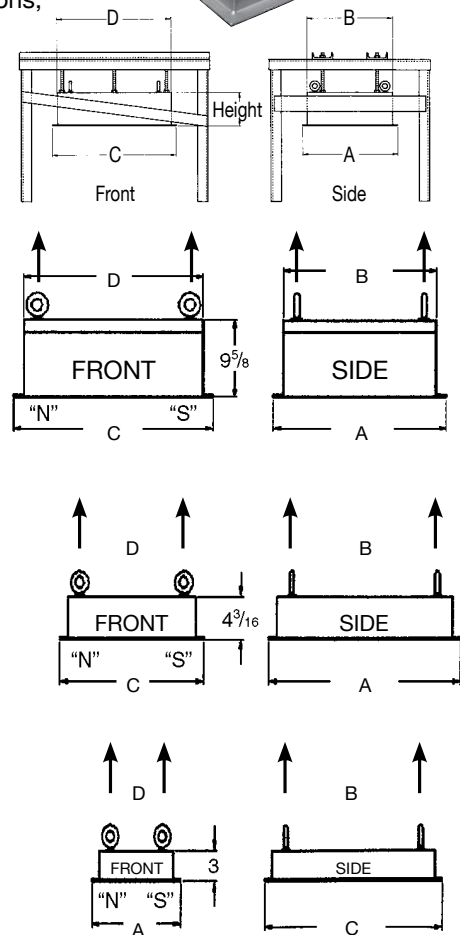
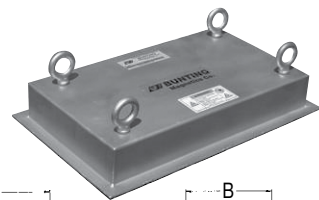
Model No.	A	B	C	D	F	G
GIM-5	5	33	8	4	7 13/16	5 1/2
GIM-5-NE	5	29	8	4	6 7/16	5 1/2
GIM-6	6	38	12	4	7 13/16	5 1/2
GIM-6-NE	6	34	12	4	6 7/16	5 1/2
GIM-8	8	41	14	5	7 13/16	5 1/2
GIM-8-NE	8	38	14	5	6 7/16	5 1/2
GIM-10	10	48	16	6 1/2	7 13/16	5 1/2
GIM-10-NE	10	40	16	6 1/2	6 7/16	5 1/2
GIM-12	12	51	22	6 1/2	7 13/16	5 1/2
GIM-12-NE	12	43	22	6 1/2	6 7/16	5 1/2



Suspended Plate Magnet

The sizes shown below are for troughed belts. For flat belt applications, match dimension A to the belt width. Dimensions in inches.

	SIDE VIEW		FRONT VIEW			
	Magnetic Reachout	A	B	C	D	Height
950						
PMS 24	10	18	14 1/4	27 3/4	21 1/4	9 5/8
PMS 30	10	24	20 1/4	27 3/4	21 1/4	9 5/8
PMS 36	10	26 1/8	28 7/8	27 3/4	24 31/32	9 5/8
PMS 42	10	36	32 1/4	27 3/4	21 1/4	9 5/8
PMS 48	10	42	38 1/4	27 3/4	21 1/4	9 5/8
650						
PMSC6518F	6.5	18	14 1/4	18	16 5/8	4 3/16
PMSC6524F	6.5	24	20 1/4	18	16 5/8	4 3/16
PMSC6530F	6.5	30	26 1/4	18	16 5/8	4 3/16
PMSC6536F	6.5	36	32 1/4	18	16 5/8	4 3/16
PMSC6542F	6.5	42	38 1/4	18	16 5/8	4 3/16
450						
PMSC4512F	4.5	12	8 1/4	12	10 5/8	3
PMSC4518F	4.5	18	14 1/4	12	10 5/8	3
PMSC4524F	4.5	24	20 1/4	12	10 5/8	3
PMSC4530F	4.5	30	26 1/4	12	10 5/8	3
PMSC4536F	4.5	36	32 1/4	12	10 5/8	3



Specifications are subject to change without notice.
Support structures available