



Drum Separator

Drum Separators with Housings

Dimensions in inches. Capacities in cubic feet per hour.

Operate at 45 rpm

Model No.	Diameter	Length	*Capacity	A	B	C	D	E	F	HP
DSH 1212	12	12	1000	27	14 1/2	22	6	11	26	1/3
DSH 1218	12	18	1500	27	20 1/2	22	6	17	26	1/3
DSH 1224	12	24	2000	27	26 1/2	22	6	23	26	1/3
DSH 1230	12	30	2500	27	32 1/2	22	6	29	26	1/2
DSH 1236	12	36	3000	27	38 1/2	22	6	35	26	1/2

Operate at 35 rpm

Model No.	Diameter	Length	Capacity	A	B	C	D	E	F	HP
DSH 1812	18	12	1600	33	14 1/2	28	6	11	32	1/2
DSH 1818	18	18	2400	33	20 1/2	28	6	17	32	1/2
DSH 1824	18	24	3200	33	26 1/2	28	6	23	32	1/2
DSH 1830	18	30	4000	33	32 1/2	28	6	29	32	3/4
DSH 1836	18	36	4800	33	38 1/2	28	6	35	32	3/4
DSH 1842	18	42	5600	33	44 1/2	28	6	41	32	3/4
DSH 1848	18	48	6400	33	50 1/2	28	6	47	32	3/4

Operate at 30 rpm

Model No.	Diameter	Length	Capacity	A	B	C	D	E	F	HP
DSH 2418	24	18	3300	40	22	38	8	17	32	3/4
DSH 2424	24	24	4400	40	28	38	8	23	32	3/4
DSH 2430	24	30	5500	40	34	38	8	29	32	1
DSH 2436	24	36	6600	40	40	38	8	35	32	1
DSH 2442	24	42	7700	40	46	38	8	41	32	1
DSH 2448	24	48	8800	40	52	38	8	47	32	1
DSH 2454	24	54	10000	40	58	38	8	53	32	1

* Maximum capacity Call for bulk density flow rates

Drum Separators without Housings

Dimensions in inches. Capacities in cubic feet per hour.

Operate at 45 rpm

Model No.	Diameter	Length	*Capacity	G	H	I	J	K	L	HP
DS 1212	12	12	1000	13 5/8	5	7	25 5/8	1 5/8	14	1/3
DS 1218	12	18	1500	19 5/8	5	7	31 5/8	1 5/8	14	1/3
DS 1224	12	24	2000	25 5/8	5	7	37 5/8	1 5/8	14	1/3
DS 1230	12	30	2500	31 5/8	5	7	43 5/8	1 5/8	14	1/2
DS 1236	12	36	3000	37 5/8	5	7	49 5/8	1 5/8	14	1/2

Operate at 35 rpm

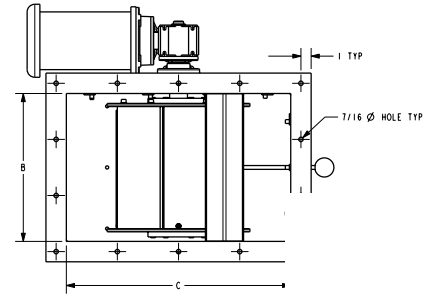
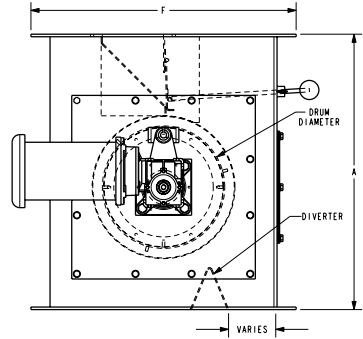
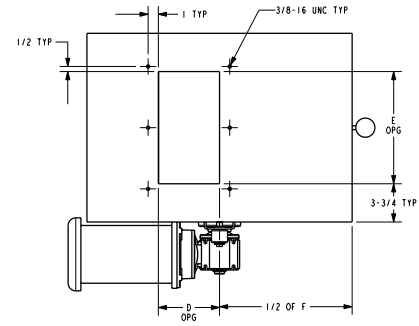
Model No.	Diameter	Length	*Capacity	G	H	I	J	K	L	HP
DS 1812	18	12	1600	14 1/4	6	8	28 1/4	2 7/16	20	1/2
DS 1818	18	18	2400	20 1/4	6	8	34 1/4	2 7/16	20	1/2
DS 1824	18	24	3200	26 1/4	6	8	40 1/4	2 7/16	20	1/2
DS 1830	18	30	4000	32 1/4	6	8	46 1/4	2 7/16	20	3/4
DS 1836	18	36	4800	38 1/4	6	8	52 1/4	2 7/16	20	3/4
DS 1842	18	42	5600	44 1/4	6	8	58 1/4	2 7/16	20	3/4
DS 1848	18	48	6400	50 1/4	6	8	64 1/4	2 7/16	20	3/4

Operate at 30 rpm

Model No.	Diameter	Length	*Capacity	G	H	I	J	K	L	HP
DS 2418	24	18	3300	14 1/4	8	10	32 1/4	2 15/16	26	3/4
DS 2424	24	24	4400	20 1/4	8	10	38 1/4	2 15/16	26	3/4
DS 2430	24	30	5500	26 1/4	8	10	44 1/4	2 15/16	26	1
DS 2436	24	36	6600	32 1/4	8	10	50 1/4	2 15/16	26	1
DS 2442	24	42	7700	38 1/4	8	10	56 1/4	2 15/16	26	1
DS 2448	24	48	8800	44 1/4	8	10	62 1/4	2 15/16	26	1
DS 2454	24	54	10000	50 1/4	8	10	68 1/4	2 15/16	26	1

* Maximum capacity Call for bulk density flow rates

Specifications are subject to change without notice.



Available loads: Ceramic, Neodymium and Neodymium-HD

