

# Cartridge Magnets



## Ordering Information

Part numbers for cartridges are divided into three parts. The first denotes the cartridge type. The second two-digit part gives the cartridge length in inches. The third denotes the magnetic material. Specify end option when ordering.

### PART NUMBER EXPLANATION

#### Type

**C40** = Standard cartridges  
1" in diameter

**HC50** = Heavy-duty cartridges  
1 1/2" square

#### Size

04 = 4" length

08 = 8" length

10 = 10" length

18 = 18" length

#### Magnetic Material

**CR** = Ceramic (Not Available in Heavy Duty Cartridges)

**AL** = Alnico (not available in Heavy-Duty Cartridges)

**NPB** = Neodymium Power-Balanced™ Rare Earth material

**NHI** = Neodymium High-Intensity Rare Earth material for the most demanding applications (not available in Heavy-Duty Cartridges)

**NUHI** = Neodymium High-Intensity Rare Earth material for the most demanding applications. Now even stronger (Not Available in Heavy Duty Cartridges)

Determine the right size and magnet strength for your application.

Cartridges intended for use in hoppers or similar applications should be arranged in multi-cartridge arrays and mounted high enough to cover twice the discharge opening area, so as not to restrict product flow.

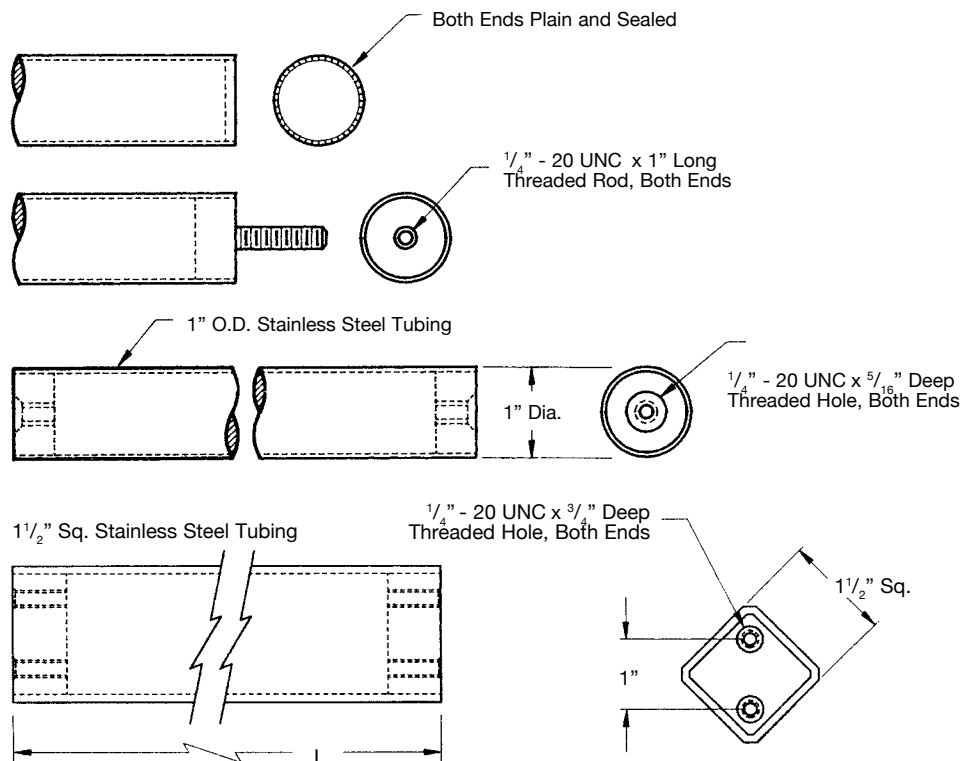
We recommend that you consult a Bunting sales engineer to select the magnetic material that is best suited to the materials, flow rates, and types of ferrous contaminants you encounter. Then find the corresponding part number from the table.

## Standard and Heavy-Duty Cartridges

Length of Cartridge in Inches

Part Length	Ceramic Load	Alnico Load	NPB Load	NHI Load	NUHI LOAD	Part Length	Ceramic Load	Alnico Load	NPB Load	NHI Load	NUHI LOAD
4	C4004CR	C4004AL	C4004NPB HC5004NPB	C4004NHI	C49004NUHI	22	C4022CR	C4022AL HC5022NPB	C4022NPB	C4022NHI	C42022NUHI
6	C4006CR	C4006AL	C4006NPB HC5006NPB	C4006NHI	C4006NUHI	24	C4024CR	C4024AL HC5024NPB	C4024NPB	C4024NHI	C4024NUHI
8	C4008CR	C4008AL	C4008NPB HC5008NPB	C4008NHI	C4008NUHI	26	C4026CR	C4026AL HC5026NPB	C4026NPB	C4026NHI	C4026NUHI
10	C4010CR	C4010AL	C4010NPB HC5010NPB	C4010NHI	C4010NUHI	28	C4028CR	C4028AL HC5028NPB	C4028NPB	C4028NHI	C4028NUHI
12	C4012CR	C4012AL	C4012NPB HC5012NPB	C4012NHI	C4012NUHI	30	C4030CR	C4030AL HC5030NPB	C4030NPB	C4030NHI	C4030NUHI
14	C4014CR	C4014AL	C4014NPB HC5014NPB	C4014NHI	C4014NUHI	32	C4032CR	C4032AL HC5032NPB	C4032NPB	C4032NHI	C4032NUHI
16	C4016CR	C4016AL	C4016NPB HC5016NPB	C4016NHI	C46016NUHI	34	C4034CR	C4034AL HC5034NPB	C4034NPB	C4034NHI	C4034NUHI
18	C4018CR	C4018AL	C4018NPB HC5018NPB	C4018NHI	C4018NUHI	36	C4036CR	C4036AL HC5036NPB	C4036NPB	C4036NHI	C4036NUHI
20	C4020CR	C4020AL	C4020NPB HC5020NPB	C4020NHI	C4020NUHI						

Specifications are subject to change without notice.





# Grate Magnets



To select the correct grate size for hoppers and similar applications, measure the area of the discharge opening in inches and double it, so as not to restrict product flow.

Then choose a standard grate from the table that comes closest to the size you've calculated. Grates can often be laid in place without a fixed mounting.

To order Heavy-Duty Grates, use the same formula. Heavy-Duty Grates are not available with baffles; nor are Alnico magnets a standard option for these grates. Call for more information about special applications and construction standards.

Ordering Information	Part Number Explanation			
<p>Part numbers for grates describe physical features. The numbers have four parts. The first two letters indicate separator type and shape. The second part consists of digits that give dimensions in inches. Rectangular grates have both width and length specified. The third and fourth parts do not appear in the table. They specify Heavy-Duty Grates, baffles, and magnetic material.</p> <p>*NPB - check with inside sales to see if still available **Not Available on Heavy Duty Grate Magnets</p>	<p><b>GS</b> Type/Shape</p> <p><b>GR</b> = Round Grate <b>GS</b> = Square or Rectangular Grate</p>	<p><b>12 18</b> Size</p> <p><b>4</b> = Round Grate with 4" diameter or Square Grate with 4" sides <b>12 18</b> = Rectangular Grate 12" wide with cartridges 18" long</p>	<p><b>A</b> Options</p> <p><b>H</b> = Heavy-Duty Grates <b>P</b> = Plain Style, no baffles <b>A</b> = Angular Baffles <b>R</b> = Rod Baffles</p>	<p><b>CR</b> Magnetic Material</p> <p><b>CR</b> = Ceramic** <b>AL</b> = Alnico (not available in Heavy-Duty Grate Magnets) <b>NE</b> = Rare Earth for HD Cartridges <b>*NPB (NTC)</b> = Neodymium Power-Balanced™ Rare Earth material <b>NHI</b> = Neodymium High-Intensity Rare Earth material for the most demanding applications (not available in Heavy-Duty Grate Magnets) <b>NHIT</b> = Neodymium High-Intensity Rare Earth material for high temperature use <b>NUHI</b> = Neodymium Ultra High Intensity</p>

## Standard Round, Square, and Rectangular Grates

		Length of Cartridge																
		4	6	8	10	12	14	16	18	20	22	24	26	28	30	32	34	36
Width of Grate	4	GS-4 GR-4	GS-4 6	GS-4 8	GS-4 10	GS-4 12	GS-4 14	GS-4 16	GS-4 18	GS-4 20	GS-4 22	GS-4 24	GS-4 26	GS-4 28	GS-4 30	GS-4 32	GS-4 34	GS-4 36
	6	GS-6 4	GS-6 GR-6	GS-6 8	GS-6 10	GS-6 12	GS-6 14	GS-6 16	GS-6 18	GS-6 20	GS-6 22	GS-6 24	GS-6 26	GS-6 28	GS-6 30	GS-6 32	GS-6 34	GS-6 36
	8	GS-8 4	GS-8 6	GS-8 GR-8	GS-8 10	GS-8 12	GS-8 14	GS-8 16	GS-8 18	GS-8 20	GS-8 22	GS-8 24	GS-8 26	GS-8 28	GS-8 30	GS-8 32	GS-8 34	GS-8 36
	10	GS-10 4	GS-10 6	GS-10 8	GS-10 GR-10	GS-10 12	GS-10 14	GS-10 16	GS-10 18	GS-10 20	GS-10 22	GS-10 24	GS-10 26	GS-10 28	GS-10 30	GS-10 32	GS-10 34	GS-10 36
	12	GS-12 4	GS-12 6	GS-12 8	GS-12 10	GS-12 GR-12	GS-12 14	GS-12 16	GS-12 18	GS-12 20	GS-12 22	GS-12 24	GS-12 26	GS-12 28	GS-12 30	GS-12 32	GS-12 34	GS-12 36
	14	GS-14 4	GS-14 6	GS-14 8	GS-14 10	GS-14 12	GS-14 GR-14	GS-14 16	GS-14 18	GS-14 20	GS-14 22	GS-14 24	GS-14 26	GS-14 28	GS-14 30	GS-14 32	GS-14 34	GS-14 36
	16	GS-16 4	GS-16 6	GS-16 8	GS-16 10	GS-16 12	GS-16 14	GS-16 GR-16	GS-16 18	GS-16 20	GS-16 22	GS-16 24	GS-16 26	GS-16 28	GS-16 30	GS-16 32	GS-16 34	GS-16 36
	18	GS-18 4	GS-18 6	GS-18 8	GS-18 10	GS-18 12	GS-18 14	GS-18 16	GS-18 GR-18	GS-18 20	GS-18 22	GS-18 24	GS-18 26	GS-18 28	GS-18 30	GS-18 32	GS-18 34	GS-18 36
	20	GS-20 4	GS-20 6	GS-20 8	GS-20 10	GS-20 12	GS-20 14	GS-20 16	GS-20 18	GS-20 GR-20	GS-20 22	GS-20 24	GS-20 26	GS-20 28	GS-20 30	GS-20 32	GS-20 34	GS-20 36
	22	GS-22 4	GS-22 6	GS-22 8	GS-22 10	GS-22 12	GS-22 14	GS-22 16	GS-22 18	GS-22 20	GS-22 GR-22	GS-22 24	GS-22 26	GS-22 28	GS-22 30	GS-22 32	GS-22 34	GS-22 36
	24	GS-24 4	GS-24 6	GS-24 8	GS-24 10	GS-24 12	GS-24 14	GS-24 16	GS-24 18	GS-24 20	GS-24 22	GS-24 GR-24	GS-24 26	GS-24 28	GS-24 30	GS-24 32	GS-24 34	GS-24 36
	26	GS-26 4	GS-26 6	GS-26 8	GS-26 10	GS-26 12	GS-26 14	GS-26 16	GS-26 18	GS-26 20	GS-26 22	GS-26 24	GS-26 GR-26	GS-26 28	GS-26 30	GS-26 32	GS-26 34	GS-26 36
	28	GS-28 4	GS-28 6	GS-28 8	GS-28 10	GS-28 12	GS-28 14	GS-28 16	GS-28 18	GS-28 20	GS-28 22	GS-28 24	GS-28 26	GS-28 GR-28	GS-28 30	GS-28 32	GS-28 34	GS-28 36
	30	GS-30 4	GS-30 6	GS-30 8	GS-30 10	GS-30 12	GS-30 14	GS-30 16	GS-30 18	GS-30 20	GS-30 22	GS-30 24	GS-30 26	GS-30 28	GS-30 GR-30	GS-30 32	GS-30 34	GS-30 36
	32	GS-32 4	GS-32 6	GS-32 8	GS-32 10	GS-32 12	GS-32 14	GS-32 16	GS-32 18	GS-32 20	GS-32 22	GS-32 24	GS-32 26	GS-32 28	GS-32 30	GS-32 GR-32	GS-32 34	GS-32 36
	34	GS-34 4	GS-34 6	GS-34 8	GS-34 10	GS-34 12	GS-34 14	GS-34 16	GS-34 18	GS-34 20	GS-34 22	GS-34 24	GS-34 26	GS-34 28	GS-34 30	GS-34 32	GS-34 GR-34	GS-34 36
36	GS-36 4	GS-36 6	GS-36 8	GS-36 10	GS-36 12	GS-36 14	GS-36 16	GS-36 18	GS-36 20	GS-36 22	GS-36 24	GS-36 26	GS-36 28	GS-36 30	GS-36 32	GS-36 34	GS-36 GR-36	

All dimensions are in inches. Specifications are subject to change without notice.

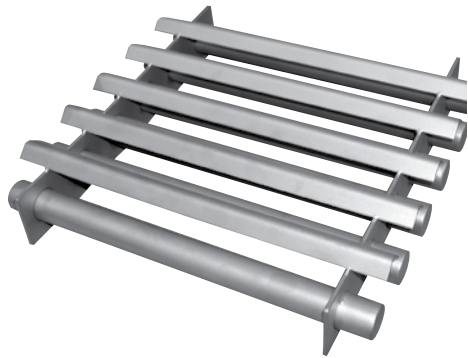
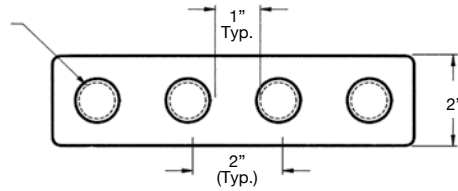


## Grate Magnets



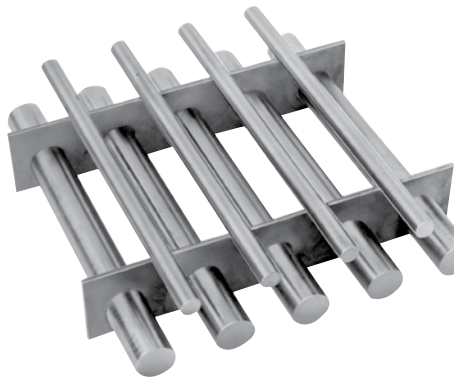
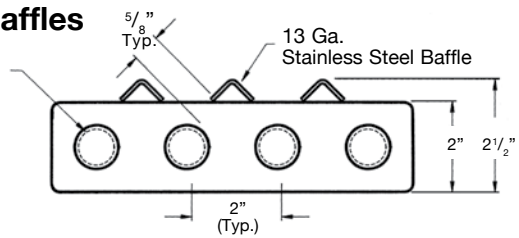
### Plain Style

1" Dia. Stainless Steel Tubing



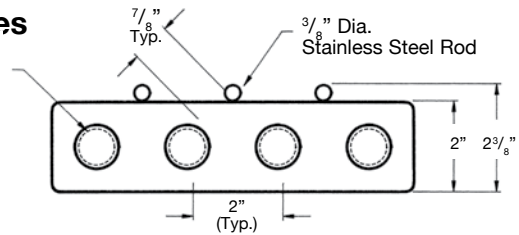
### Angular Baffles

1" Dia. Stainless Steel Tubing



### Rod Baffles

1" Dia. Stainless Steel Tubing



### Heavy-Duty Grates

