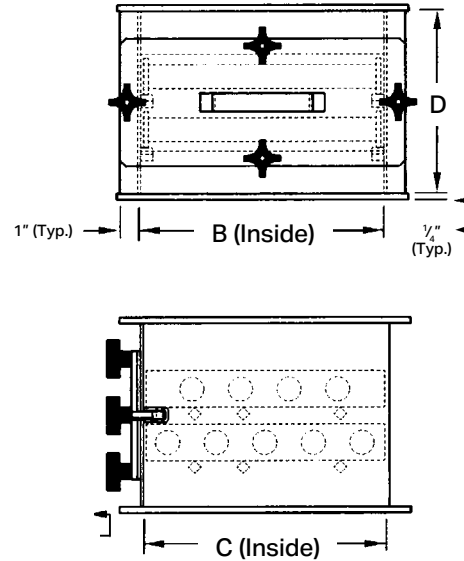
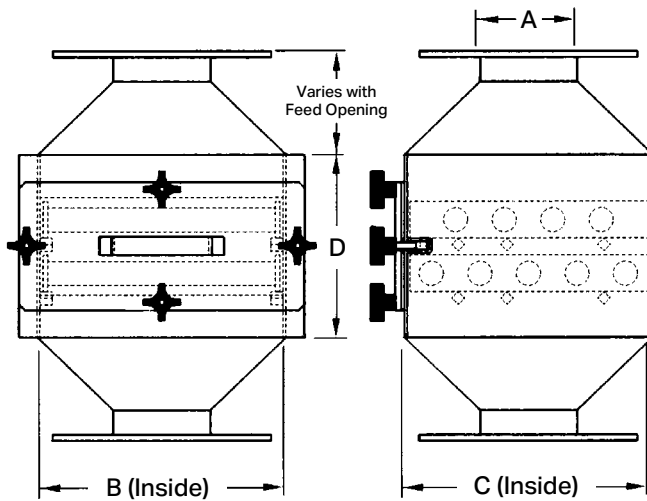


HF Series Drawer Magnet

Metal detectable grommets and gaskets are standard on both models



HF Series Drawer Magnets

Dimensions in inches. Area in square inches.

Mild Steel Model No.	Stainless Steel Model No.	Housing Cross Section Area	A Square Spouting	A Round Spouting	B Width	C Depth	D Height
HF-2010	HFS-2010	100	6	6	10	10	6-1/2
HF-2012	HFS-2012	144	8	8	12	12	6-1/2
HF-2014	HFS-2014	196	9	10	14	14	6-1/2
HF-2016	HFS-2016	256	10	12	16	16	7 1/2
HF-2018	HFS-2018	324	12	13	18	18	7 1/2
HF-2020	HFS-2020	400	13	14	20	20	7 1/2
HF-2022	HFS-2022	484	14	16	22	22	7 1/2
HF-2024	HFS-2024	576	16	18	24	24	7 1/2
HF-2026	HFS-2026	676	17	19	26	26	7 1/2
HF-2028	HFS-2028	784	18	20	28	28	7 1/2

Available in 1 to 5 rows of magnets



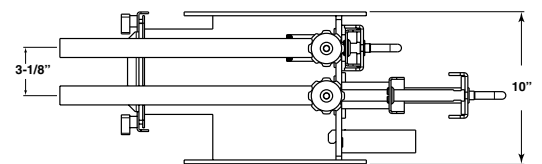
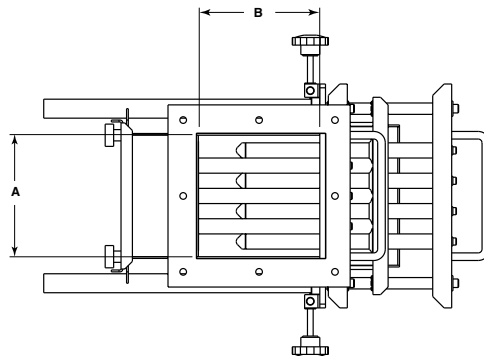
Manual Self-Cleaning HF Drawer Magnets

Dimensions in inches. Area in square inches.



HF Series Drawer Magnet with Standard Transitions

Model Number	Housing Cross Section Area	Square Spouting	Round Spouting	A	B
HFS2008-MSC	64	5	5	8	8
HFS2010-MSC	100	6	6	10	10
HFS2012-MSC	144	8	8	12	12
HFS2014-MSC	196	9	10	14	14



HF Series Drawer Magnet

Pneumatic Self-Cleaning HF Drawer Magnets

Dimensions in inches. Area in square inches.

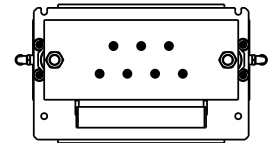
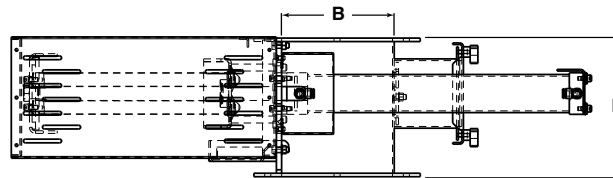
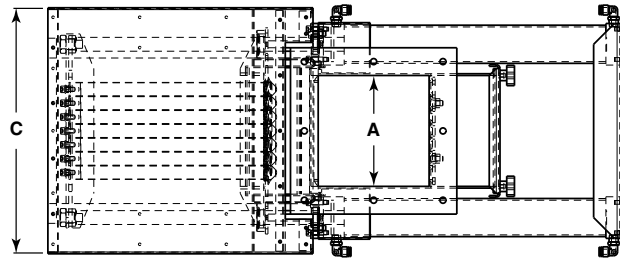


Model Number	Housing Cross Section Area	Square Spouting	Round Spouting	A	B	C	D
HFS2008-PSC	64	5	5	8	8	17.75	10
HFS2010-PSC	100	6	6	10	10	19.75	10
HFS2012-PSC	144	8	8	12	12	21.75	10
HFS2014-PSC	196	9	10	14	14	23.75	10
HFS2016-PSC	256	10	12	16	16	25.75	10.5
HFS2018-PSC	324	12	13	18	18	30.75	10.5
HFS2020-PSC	400	13	14	20	20	32.75	10.5
HFS2022-PSC	484	14	16	22	22	34.75	10.5
HFS2024-PSC	576	16	18	24	24	36.75	10.5



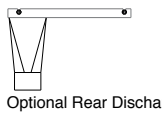
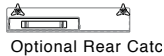
The Bunting® HF Series Drawer Magnet product line has earned the CE mark for the European Economic Area (EEA). The CE marking certifies that a product has met EU health, safety, and environmental requirements, which ensure consumer safety.

Specifications are subject to change without notice.



Continuous Pneumatic Self-Cleaning HF Drawer Magnets

Dimensions in inches. Area in square inches.



Model No.	Housing Cross Section Area	Square Spouting	Round Spouting	A	B	C	D
HFS2008-CSC	64	5	5	8	8	16.75	14
HFS2010-CSC	100	6	6	10	10	18.75	14
HFS2012-CSC	144	8	8	12	12	20.75	14
HFS2014-CSC	196	9	10	14	14	22.75	14
HFS2016-CSC	256	10	12	16	16	24.75	14
HFS2018-CSC	324	12	13	18	18	26.75	14
HFS2020-CSC	400	13	14	20	20	28.75	14
HFS2022-CSC	484	14	16	22	22	30.75	14
HFS2024-CSC	576	16	18	24	24	32.75	14

Units available with 3 and 4 row trays. Add 4-1/4" to D for each additional row.

