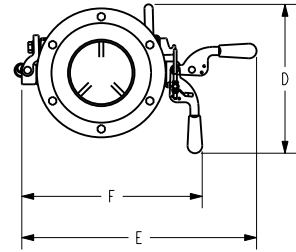
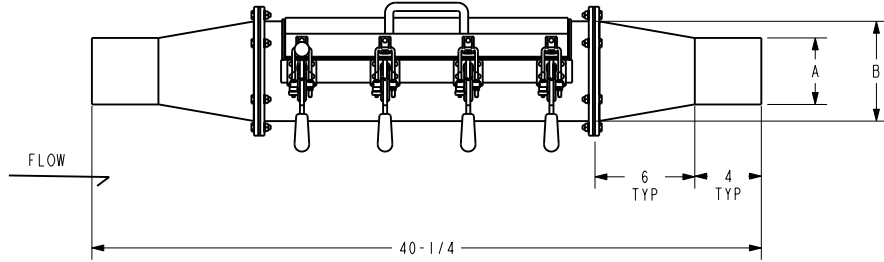
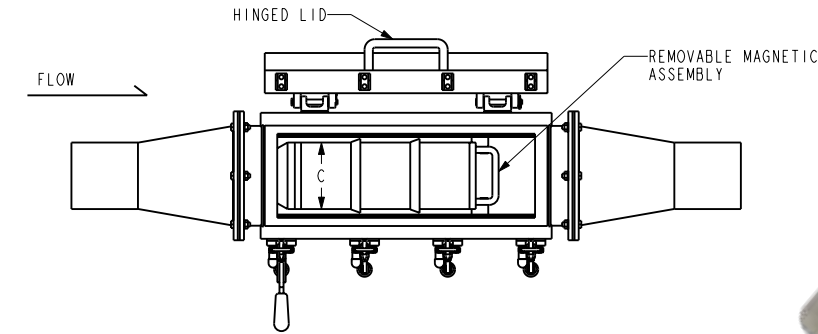


Center-Flow Magnet - Bolt on Flanges

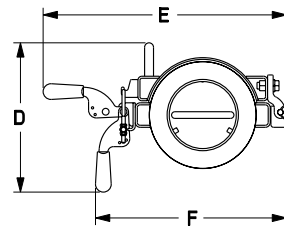
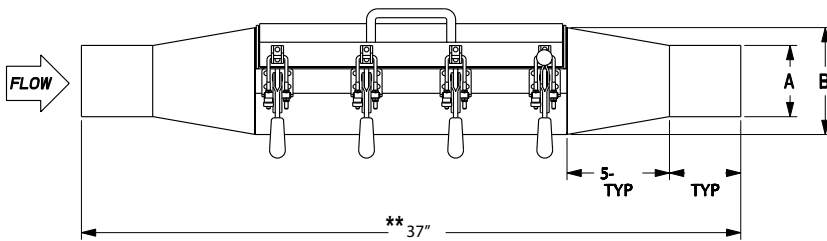
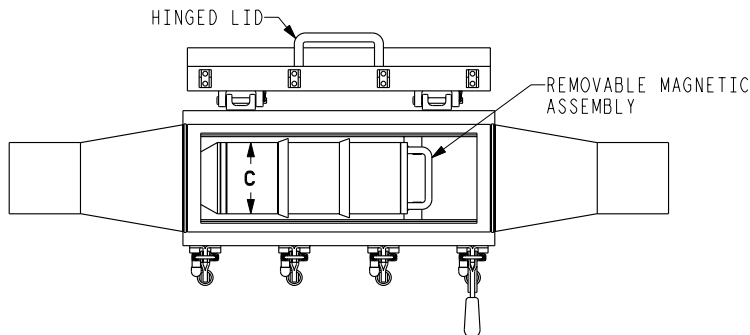
Sizes 2" - 8" available with bolt on flanges.



Specifications are subject to change without notice.

Center-Flow Magnet - Standard Flanges

Sizes 8" and larger available with welded on flanges.



Model No.	A	B	C	D	E	F
+CFM-3-NE	3	6	4	8 5/16	14 1/8	10 3/4
+CFM-4-NE	4	6	4	8 5/16	14 1/8	10 3/4
**CFM-5-NE	5	7	4	9 3/8	14 1/8	11 7/4
**CFM-6-NE	6	8	5	10 1/2	14 1/8	13 1/4

* Please specify tubing or pipe size when ordering

* Other magnetic loads available

* Food Grade Construction Available - Add an "F" at the end of the model number if this is for Food Grade.

* Rated for up to 15 PSI

+ 2" - 8" sizes are manufactured with bolt on flanges. 8" and over sizes are manufactured with welded on flanges.

** CFM-5-NE and CFM-6-NE have a length of 37"